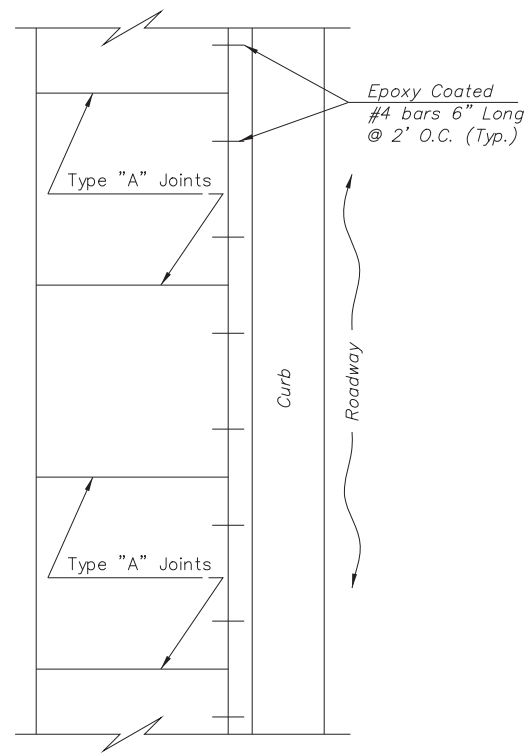
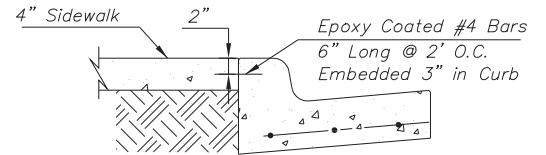


DETAIL SIDEWALK PASSING SPACE
Spaced every 200 L.F. minimum.



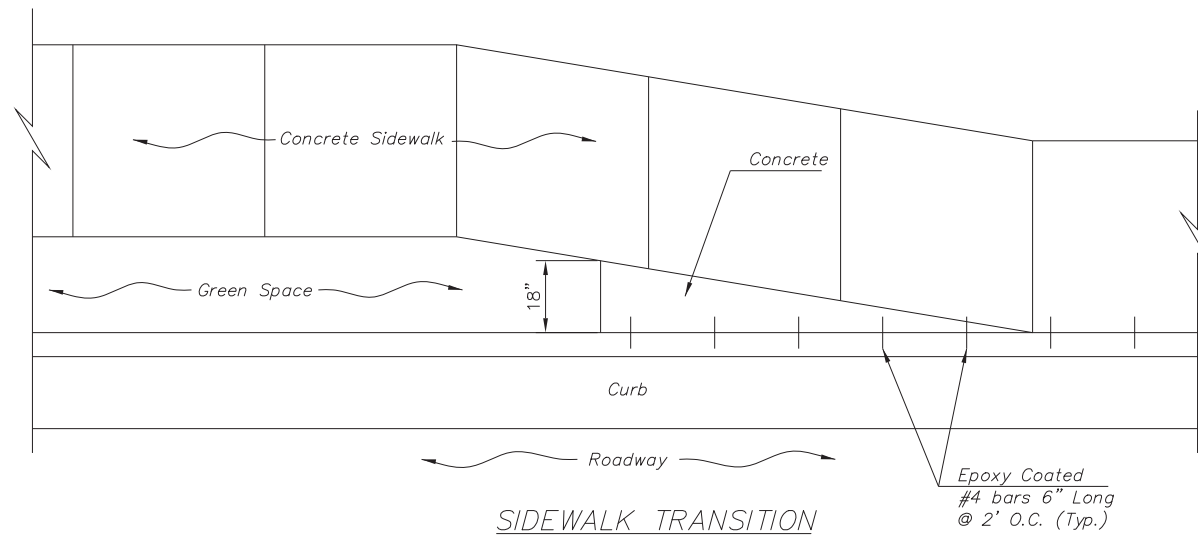
PLAN



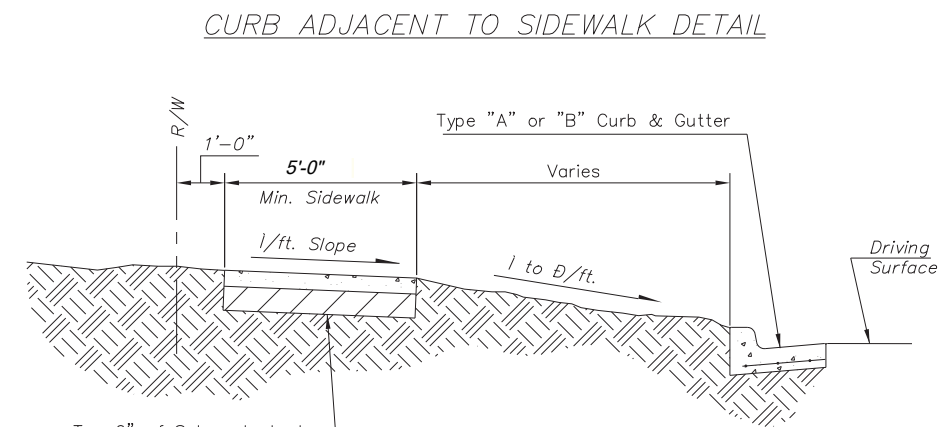
PROFILE

Typical where sidewalk is next to curb.

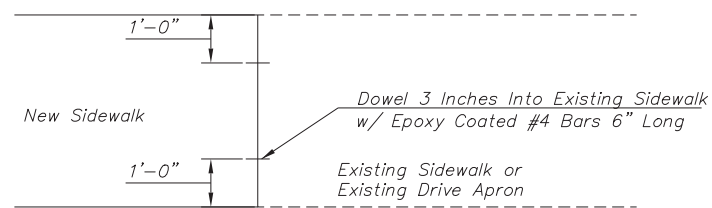
- NOTES:**
1. Type "A" Joint spacing 4'-0" center to center on width along sidewalk. 5'-0" on 5' wide sidewalks.
 2. Type "B" Joints where walk abuts junction of manholes, poles, and other similar structures.
 3. Type "B" Joint with 2-6" smooth epoxy coated #4 bars at 250' centers maximum. Set 1' in from out side edges of sidewalk.
 4. See Concrete Joint Details Standard Plan Sheet (107.01) for details of Type "A" and Type "B" joints.
 5. All concrete sidewalks shall be 4" in depth and KCMMB 4K. No substitutes such as colored concrete, asphalt, brick or stone may be made for concrete.
 6. The concrete surface of sidewalk shall be finished with a float and broomed. All edges shall be finished with a smooth edging tool to give a "picture frame" appearance.
 7. Per Council Policy 204, all new sidewalk shall be 5'-0" in width (min).



SIDEWALK TRANSITION



STANDARD SIDEWALK



NEW TO EXISTING SIDEWALK DOWEL CONNECTION

DATE	Z:\STANDARD\PV\PV-SWD.DWG	REVISIONS
2-14-19	Add note #7	

**CITY OF PRAIRIE VILLAGE
PUBLIC WORKS DEPARTMENT**



SIDEWALK DETAILS

STANDARD DETAIL NUMBER: 106.01